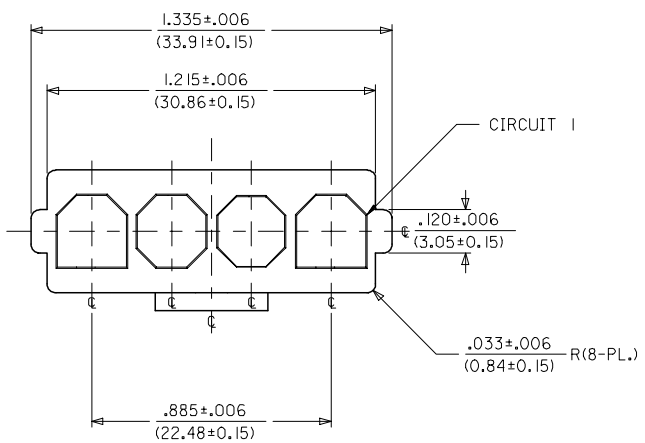
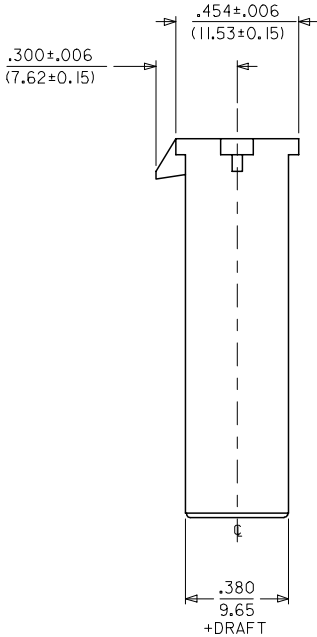
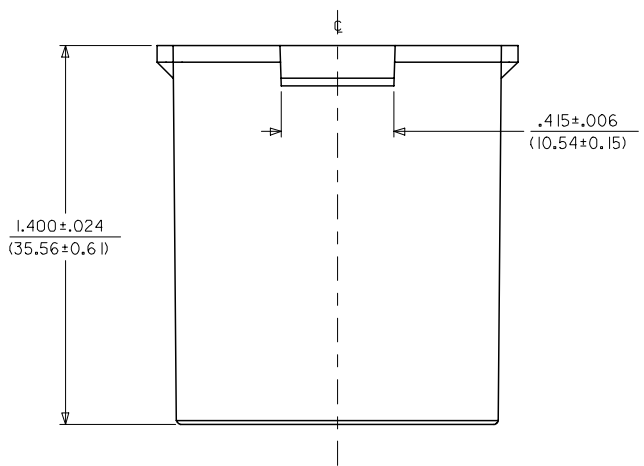


13 12 11 10 9 8 7 6 5 4 3 2 1

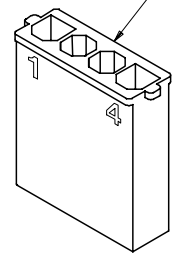
ITEM NUMBER	MATERIAL	COLOR
43680-1004	UL94V-2 NYLON	NATURAL (TRANSLUCENT)
43680-2004	UL94V-0 NYLON	BLACK



- NOTE:
1. MATERIAL: SEE CHART.
  2. FINISH: NONE.
  3. PRODUCT SPECIFICATION: PSX-44441-9999.
  4. PACKAGING: PK-43680-001.
  5. THIS CONNECTOR HOUSING FOR USE WITH 43178-\*\*\*\* TERMINALS.
  6. THIS CONNECTOR HOUSING WILL MATE TO 43335-\*\*\*\*4, 43179-\*\*\*\*4 AND 44441-\*\*\*\*4 HOUSINGS.
  7. PARTS CONFORM TO CLASS B REQUIREMENTS OF COSMETIC SPEC PS-45499-002.



LOCKING NUB IS LOCATED HERE



43680-\*004  
(NO SCALE)

<b>ADD NOTES 2 &amp; 7</b> EC NO: UCP2008-0911 DRAWN/PRD/DER 2007/11/16 CHKD:LSH/MT 2007/11/16 APPR:FSM/TH 2007/11/16 REV:	QUALITY SYMBOLS 	GENERAL TOLERANCES (UNLESS SPECIFIED) <table border="1"> <thead> <tr> <th></th> <th>mm</th> <th>INCH</th> </tr> </thead> <tbody> <tr> <td>4 PLACES</td> <td>±.010</td> <td>±.0004</td> </tr> <tr> <td>3 PLACES</td> <td>±.014</td> <td>±.0005</td> </tr> <tr> <td>2 PLACES</td> <td>±.025</td> <td>±.0010</td> </tr> <tr> <td>1 PLACE</td> <td>±.035</td> <td>±.0014</td> </tr> </tbody> </table>		mm	INCH	4 PLACES	±.010	±.0004	3 PLACES	±.014	±.0005	2 PLACES	±.025	±.0010	1 PLACE	±.035	±.0014	DIMENSION STYLE <b>IN/MM</b>	SCALE <b>4:1</b>	DESIGN UNITS <b>INCH</b>	THIRD ANGLE PROJECTION 
		mm	INCH																		
	4 PLACES	±.010	±.0004																		
	3 PLACES	±.014	±.0005																		
2 PLACES	±.025	±.0010																			
1 PLACE	±.035	±.0014																			
DRAWN BY DATE 03/22/96	CHECKED BY DATE 03/22/96	APPROVED BY DATE 03/22/96	MATERIAL NO. <b>SEE CHART</b>	DOCUMENT NO. <b>SD-43680-*004</b>	SHEET NO. <b>1 OF 1</b>	TITLE <b>4-CIR. PLUG HOUSING .125/(3.18)X.020/(0.51) SABRE - TPA</b>															
DRAFT WHERE APPLICABLE MUST REMAIN WITHIN DIMENSIONS			SIZE <b>C</b>	THIS DRAWING CONTAINS INFORMATION THAT IS PROPRIETARY TO MOLEX INCORPORATED AND SHOULD NOT BE USED WITHOUT WRITTEN PERMISSION																	

12 11 10 9 8 7 6 5 4 3 2 1